



VHX-1013

Dakota Digital VHX Instrument Installation Universal Systems

Your new VHX-1013 kit includes:

VHX Displays



Universal Sensor Pack



Switch Assembly



CAT5 Cable



8X Mounting Brackets

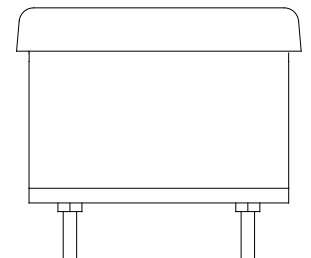
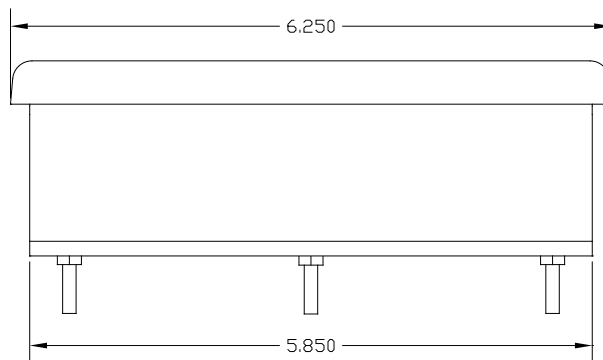
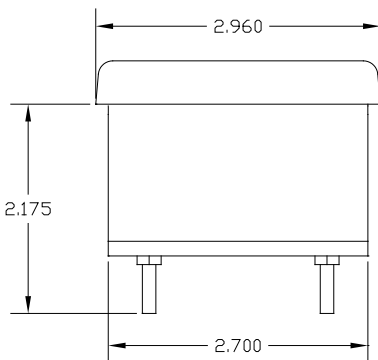


Control Box



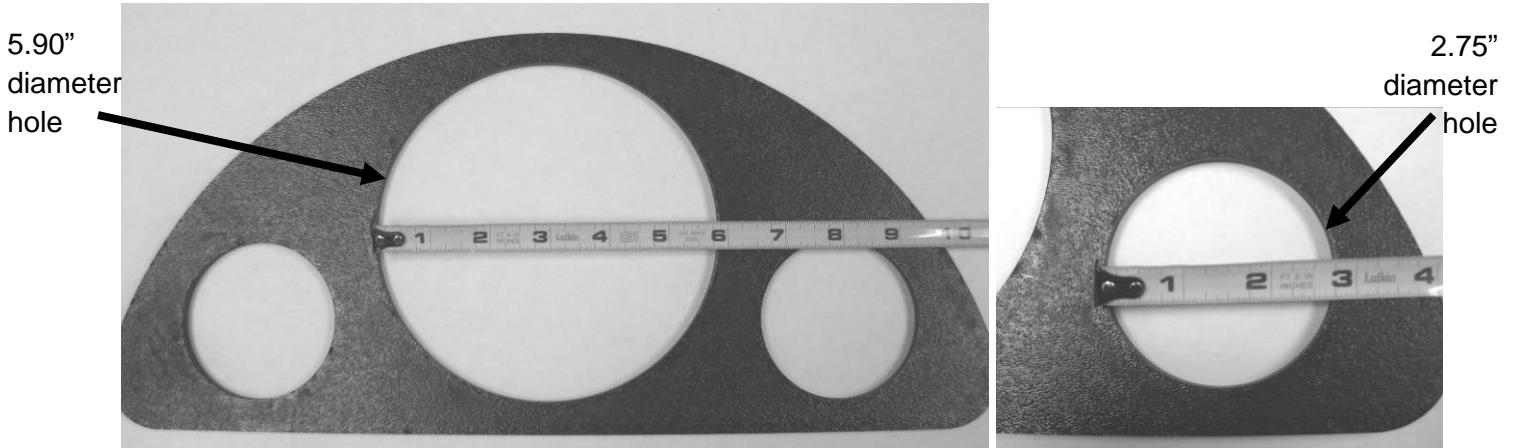
8X Thumb Nuts

Dimensions:

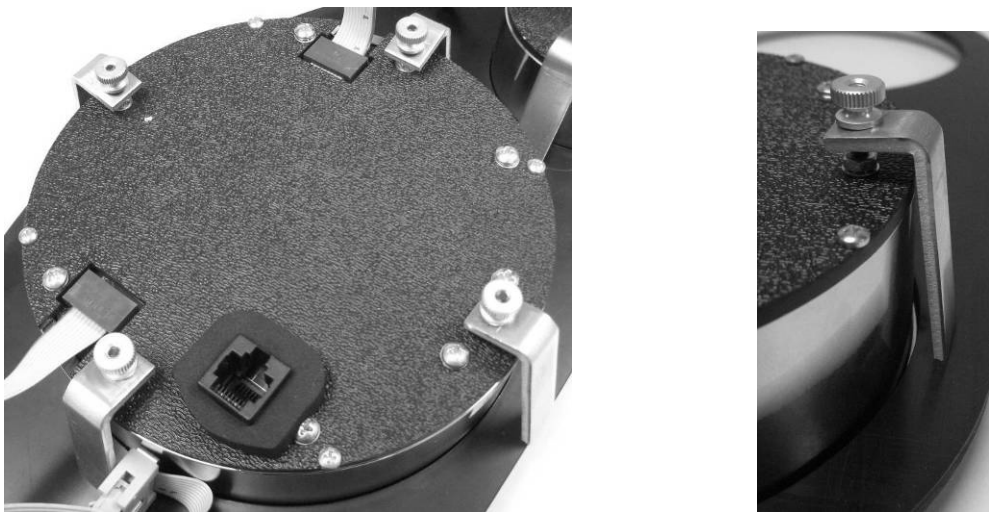


Installation

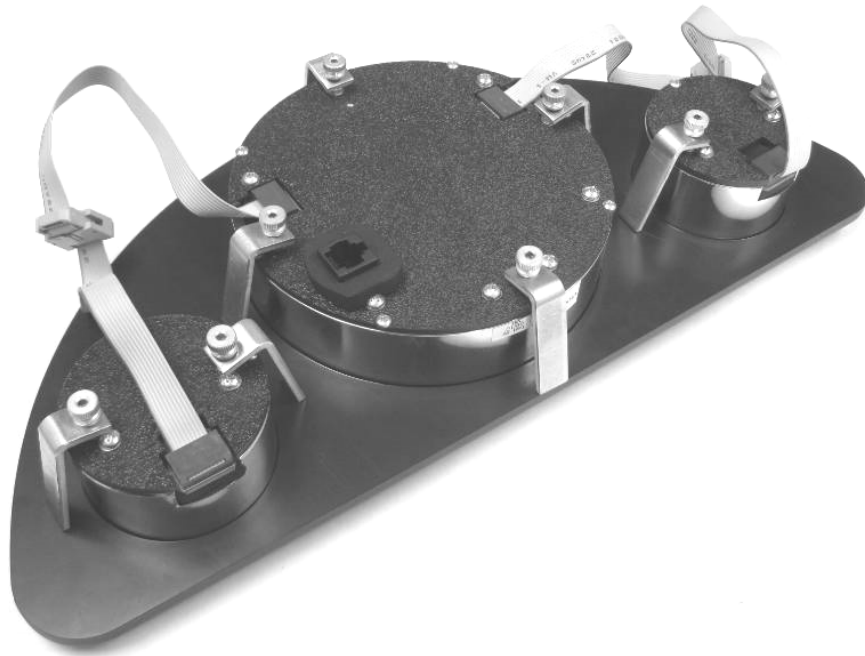
1. First, you will need to make three openings for the system in your dash or desired mounting location. You will need one large hole measuring 5.90" diameter and two smaller holes that are 2.75" diameter for the VHX gauges to fit through and sit flush with the surface of the dash. You will also need at least 2.5" of depth behind the gauge openings for adequate clearance. Make sure you make the smaller holes in close proximity of the larger hole, so the smaller gauges will still reach the main center display.



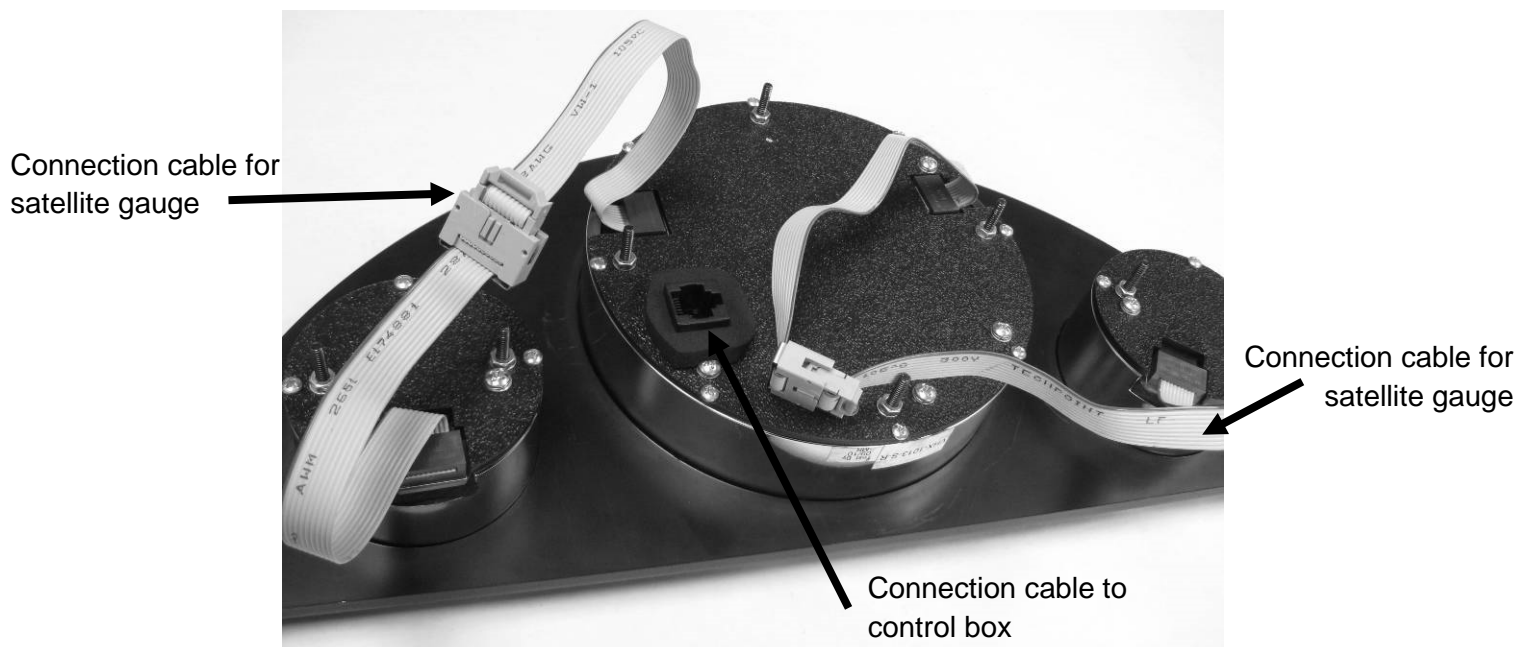
2. Remove the protective tape and insert the large gauge into its hole and secure using the supplied clamps and thumb nuts. Make sure you align/straighten the gauge with the dash before you tighten the thumb nuts all the way.



- Secure the two smaller satellite gauges by repeating the steps on the previous page.



- Connect the two smaller gauges to the center gauge via the ribbon cable connectors. These connectors are designed to plug in one way to prevent confusion.



5. System installation is complete. Re-install the dash if you removed it for making holes and refer to the main manual for wiring instructions to complete the VHX installation.



⚠ WARNING: This product can expose you to chemicals including lead, which is known to the State of California to cause cancer and birth defects or other reproductive harm. For more information go to www.P65Warnings.ca.gov



4510 W. 61st St. North
Sioux Falls, SD 57107
www.dakotadigital.com

dakotasupport@dakotadigital.com Copyright 2011 - Dakota Digital, Inc.

Phone (605) 332-6513
Fax (605) 339-4106