



HDX-2100

Dakota Digital Universal HDX Instrument Installation

Your new HDX-2100 kit includes:

HDX Display



L-Brackets and Thumb Nuts



Installation Manuals and Cutout Template



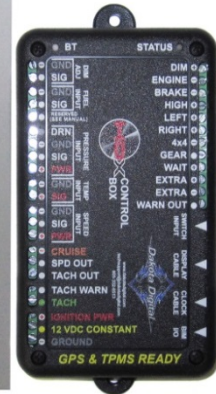
Universal Sender Pack



Buzzer



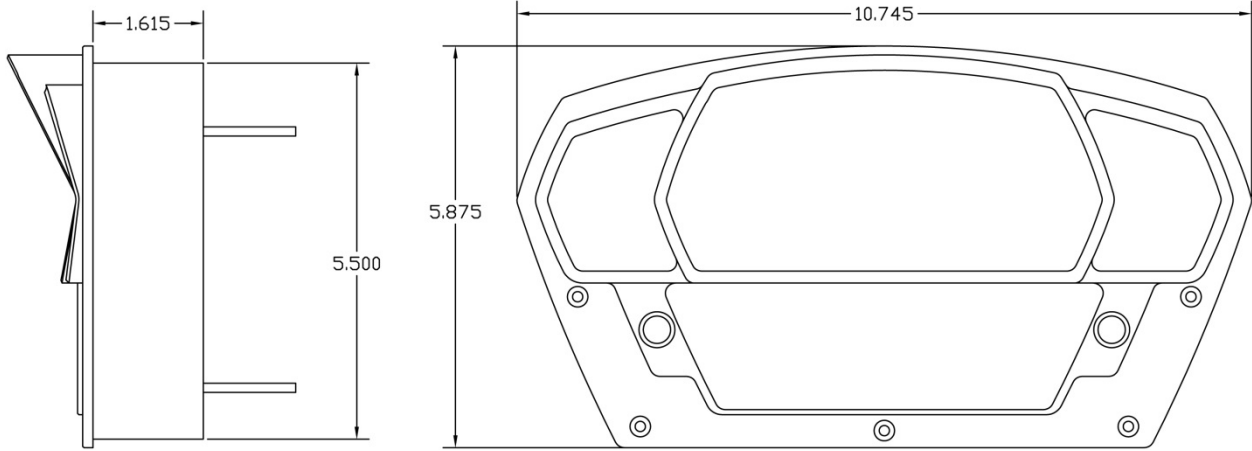
Control Box



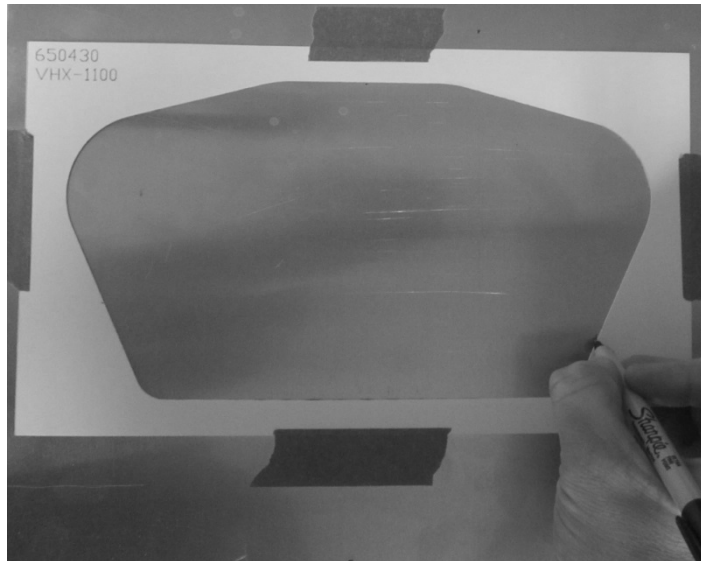
Main Harness

Installation

- 1a. Use the provided template to mark out the opening needed to fit the HDX display in the desired location. Ensure there is adequate clearance with overall size including behind the desired mounting location; the display requires approximately 2" of depth.



- 1b. Ensure the cut out template is flat and secure before marking the cut line so the opening will be the right size and location.

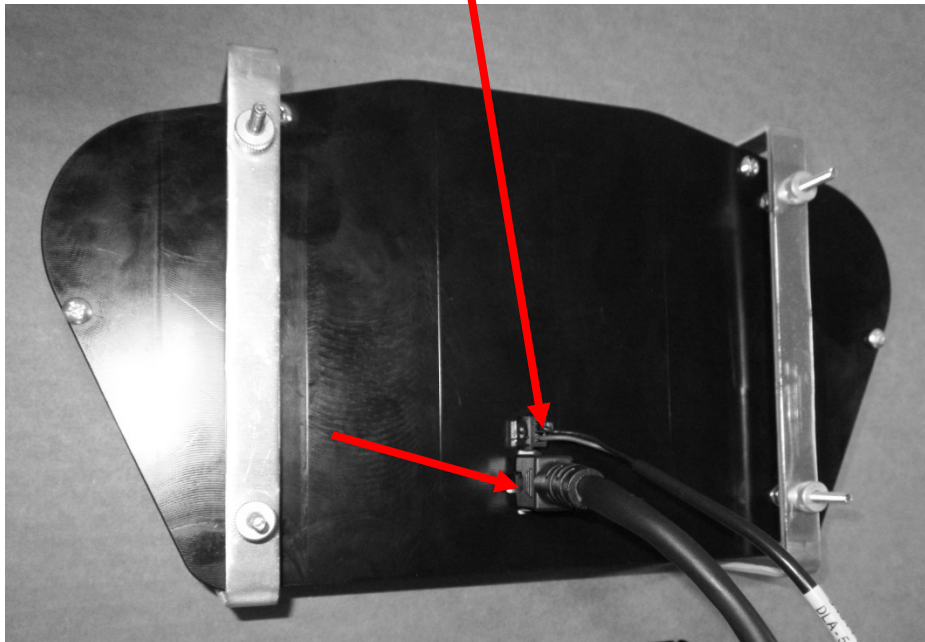


2. With the appropriate opening cut, carefully place the HDX display from the front side and attach the two (2) L-brackets to the back of the display using the provided thumb nuts. The brackets are designed to be oriented just one way; ensure there is equal spacing off both sides of the display. The brackets will still fit if upside down but will be snug on the bottom side and have an excess gap at the top.



3. Connect the provided harness and the buzzer (optional for audio feedback) to the back of the HDX system and refer to the main manual for wiring instructions to complete the HDX installation.

Buzzer Connector



⚠ WARNING: This product can expose you to chemicals including lead, which is known to the State of California to cause cancer and birth defects or other reproductive harm. For more information go to www.P65Warnings.ca.gov



4510 W. 61st St. North
Sioux Falls, SD 57107
www.dakotadigital.com
dakotasupport@dakotadigital.com

Phone (605) 332-6513
Fax (605) 339-4106

© Copyright 2018 - Dakota Digital