



VHX-1022

Dakota Digital VHX Instrument Installation Universal Systems

Your new VHX-1022 Universal kit includes:

VHX Display



Universal Sender Pack



Switch Assembly



CAT5 Cable



(3) Main Gauge
L - Brackets

(8) Auxiliary Gauge
L - Brackets

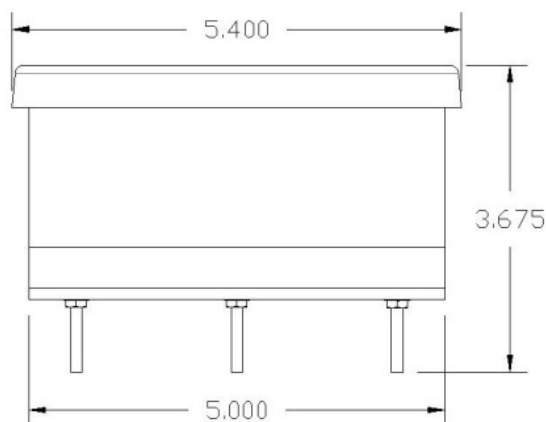
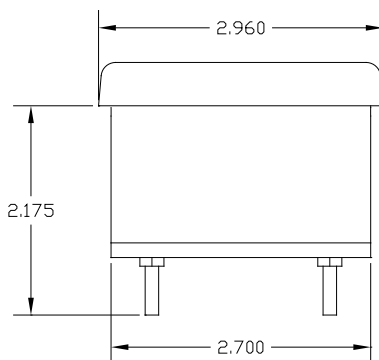


Control Box

11 - Thumb Nuts

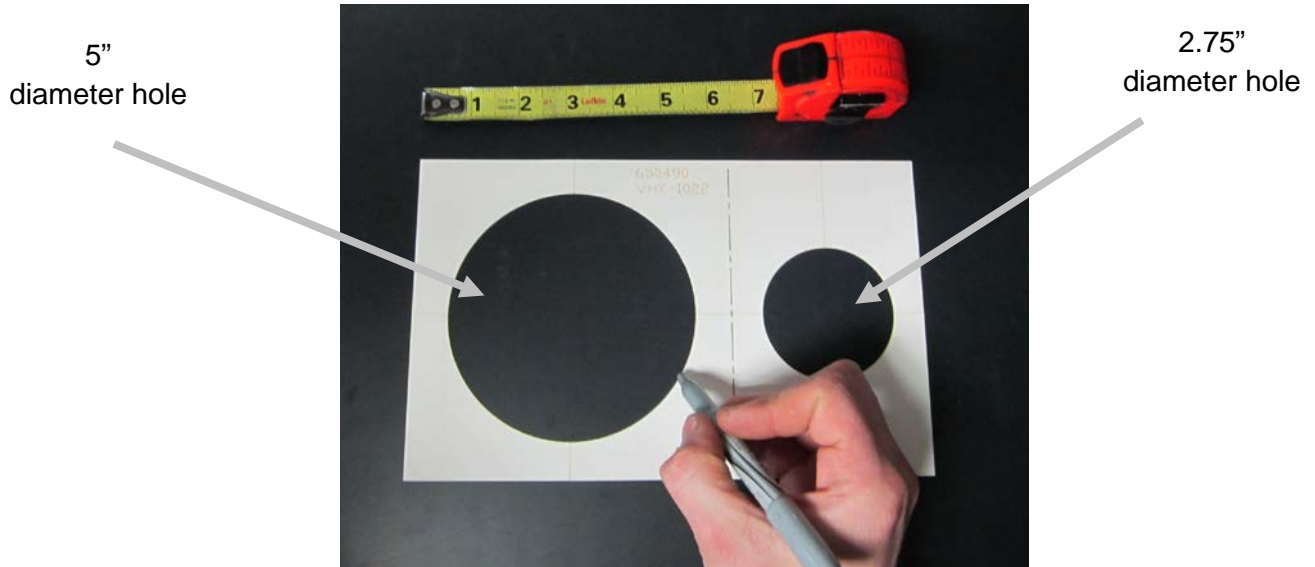


Dimensions:



Installation

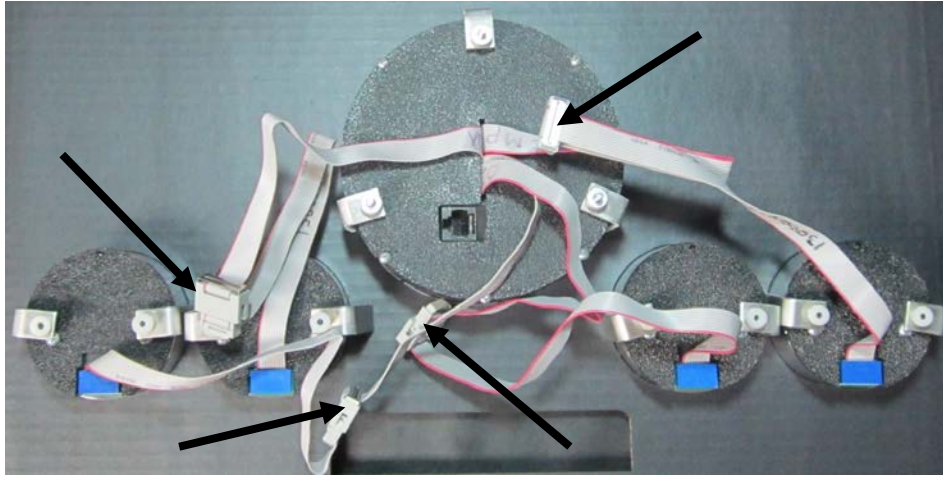
1. First, you will need to make five openings for the system in your desired mounting location using the provided template. You will need one large hole measuring 5.000" diameter and four smaller holes that are 2.75" diameter for the VHX gauges to fit through and sit flush with the surface of the dash. You will also need to check the depth behind the gauge openings for adequate clearance. Make sure the smaller holes are in close proximity of the larger hole, so the ribbon cable of the smaller gauges will still reach the main center display.



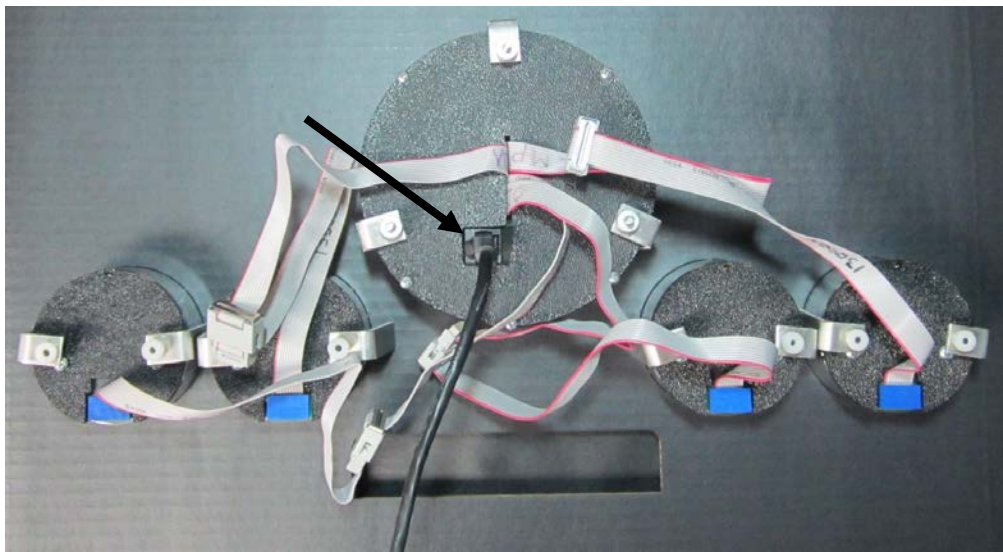
2. From the front, place the main gauge and the four small gauges through the dash in the arrangement of your choice; secure the gauges to the dash by using the provided L- Brackets and thumb nuts. NOTE: the three (3) longer L-Brackets are used for the large main gauge.



3. Make the proper connections between the four (4) labeled ribbon cables from the main gauge to the lead from each small gauge. Example; Fuel cable from the main gauge connects to the Fuel auxiliary gauge cable.



4. Connect the CAT5 cable to the backside of the large gauge and take care when routing this cable to the control box mounting location.



5. Refer to the main manual for wiring instructions to complete the VHX installation.



⚠WARNING: This product can expose you to chemicals including lead, which is known to the State of California to cause cancer and birth defects or other reproductive harm. For more information go to www.P65Warnings.ca.gov



4510 W. 61st St. North
Sioux Falls, SD 57107
www.dakotadigital.com

dakotasupport@dakotadigital.com Copyright 2011 - Dakota Digital, Inc.

Phone (605) 332-6513
Fax (605) 339-4106