



# VHX-1100

## Dakota Digital Universal VHX Instrument Installation

Your new VHX-1100 kit includes:

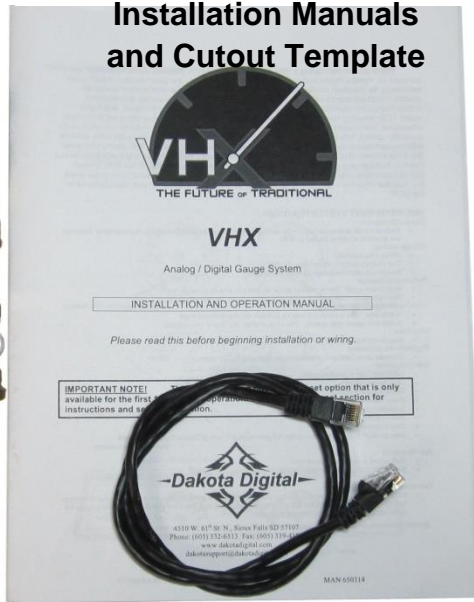
VHX Display



L-Brackets and Thumb Nuts



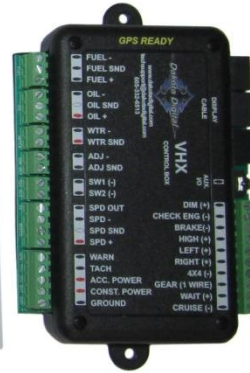
Installation Manuals and Cutout Template



Switch harness



Control Box



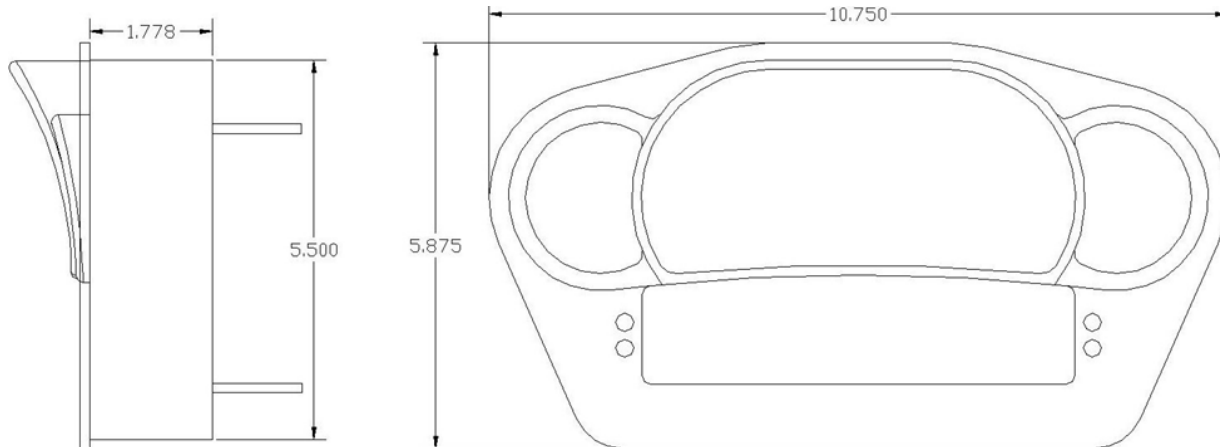
Universal Sender Pack

CAT5 Cable

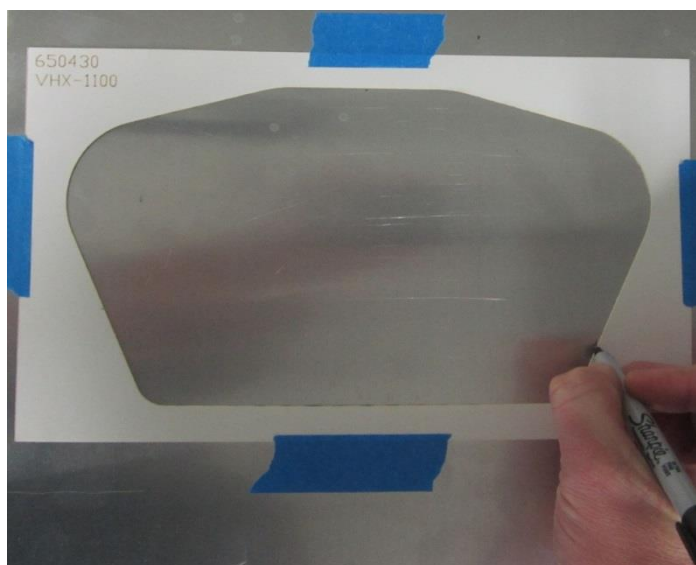


### Installation

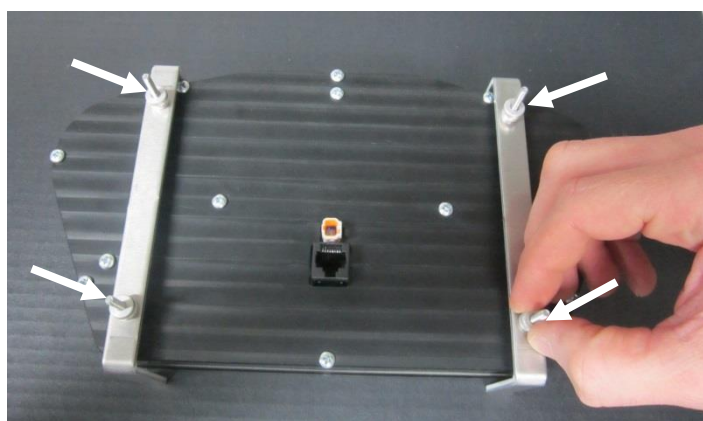
- 1a. Use the provided template to mark out the opening needed to fit the VHX display in the desired location. Ensure there is adequate clearance with overall size including behind the desired mounting location; the display requires approximately 2" of depth.



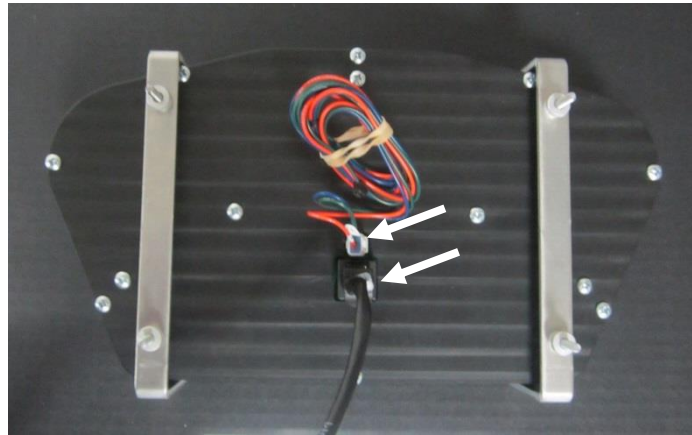
- 1b. Ensure the cut out template is flat and secure before marking the cut line so the opening will be the right size and location.



2. With the appropriate opening cut, carefully place the VHX display from the front side and attach the two (2) L-brackets to the back of the display using the provided thumb nuts. The brackets are designed to be oriented just one way; ensure there is equal spacing off both sides of the display. The brackets will still fit if upside down but will be snug on the bottom side and have an excess gap at the top.



3. Attach the provided CAT5 Cable and the 3 Pin switch Harness to the back of the VHX display. Carefully route the other ends to the control box mounting location and refer to the main manual and manual 650431 for wiring instructions and operations.



**⚠ WARNING:** This product can expose you to chemicals including lead, which is known to the State of California to cause cancer and birth defects or other reproductive harm. For more information go to [www.P65Warnings.ca.gov](http://www.P65Warnings.ca.gov)



4510 W. 61st St. North  
Sioux Falls, SD 57107  
[www.dakotadigital.com](http://www.dakotadigital.com)

[dakotasupport@dakotadigital.com](mailto:dakotasupport@dakotadigital.com) Copyright 2011 - Dakota Digital, Inc.

Phone (605) 332-6513  
Fax (605) 339-4106