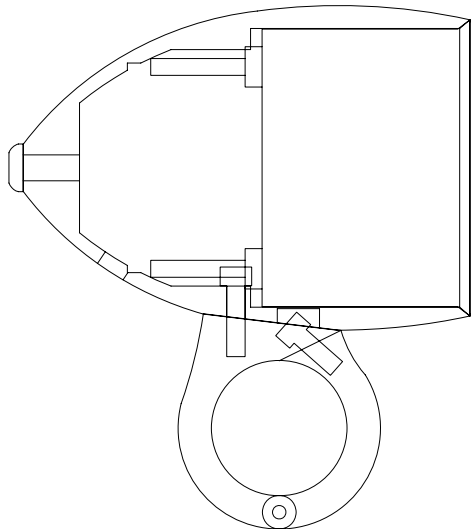


Dakota Digital

CUP-3001 Mounting Information

- a) First you will secure the mounting bracket to the handlebars using the screw to secure the two halves together around the bars.
- b) Next the stud will be threaded into the mounting bracket. The cup will then be placed over the stud, and the nut will then be threaded onto the stud to secure the cup in place.
- c) The U-clamp will need to be removed from the gauge, then the bracket secured to the studs using the supplied nuts.
- d) After wires are attached, the gauge can be slid into the cup. The appropriate bolt will then be threaded into the mounting bracket through the hole in the back of the cup. This will pull the gauge tight into the cup.
- e) *If the cup is mounted in any manner that does not have the wires exiting the bottom, the cup will need to have the hole for the wires sealed with RTV silicone.*



Dakota Digital

4510 W. 61ST St. N., Sioux Falls, SD 57107
Phone: (605) 332-6513 FAX: (605) 339-4106

www.dakotadigital.com
dakotasupport@dakotadigital.com