

Dakota Digital

DGS-2 or DGS-2B VFD ALPHANUMERIC GEAR SHIFT INDICATOR

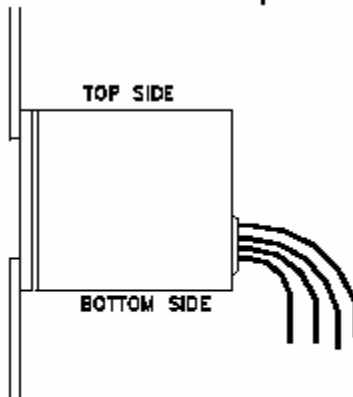
INTRODUCTION

Thank you for purchasing the Dakota Digital, Inc. DGS-2 VFD Alphanumeric Gear Shift Indicator. This, along with many other products that Dakota Digital, Inc. has to offer, represents the latest in electronics technology for the street rod, classic car and truck, and any custom vehicle.

This indicator is designed to tell you what gear your automatic transmission is in when used with the appropriate sending unit. It is designed to work with Dakota Digital's GSS-1000 Universal Gear Shift Sender, Ron Francis Wire Works gear shift sender, or any other sender that provides 12 volt signals for the gears. It uses an 8 character display to spell out the full name of the gear. The vacuum florescent display matches Dakota Digital's popular VFD gauge systems and is available in the same colors. The indicator also features a night dimming feature which allows it to dim to a preset brightness when your headlights are turned on.

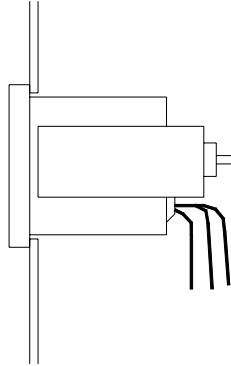
MOUNTING DGS-2 (without bezel)

The indicator and enclosed lens mount behind an opening in your dash which should be at least 2" x 5/8" and can be up to 2 7/8" x 1 3/4" with the standard lens. A flange with mounting hole is provided on the right and left sides of the indicator. These can be used to mount the lens and indicator by tacking a pair of #8 or #10 studs to the back of your dash. An alternative method of mounting is to use silicone RTV to mount the lens and indicator to your dash. You should allow at least 2" of depth behind your dash for the indicator and wiring. The grommet where the wires exit the indicator is on the bottom side of the indicator. Make sure to not install the unit upside down.



MOUNTING DGS-2B (with aluminum bezel)

The indicator is designed to be mounted into a 1 5/8" tall x 2 7/8" opening. The indicator will be inserted into the opening from the front and the U-clamp will be secured from the back on the two studs to hold the unit in place. The grommet where the wires exit the indicator is on the bottom side of the indicator. Make sure to not install the unit upside down. The diagram below illustrates the mounting configuration.



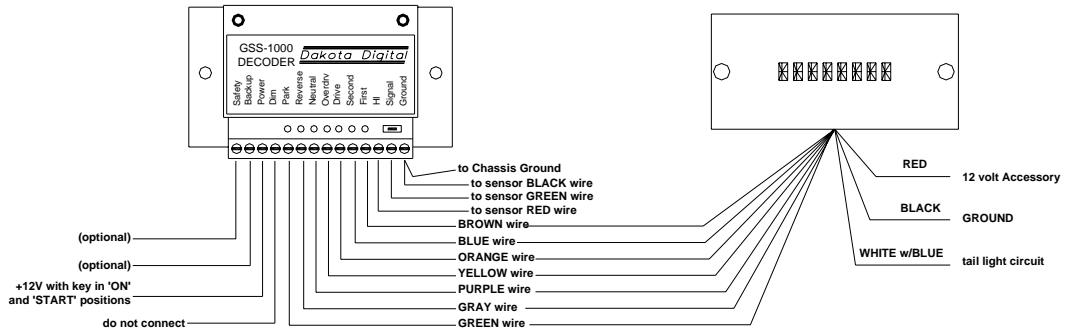
WIRING

There are 10 wires on the indicator; power and ground wires, seven wires for the gear inputs, and a night dimming wire. The color code is as follows:

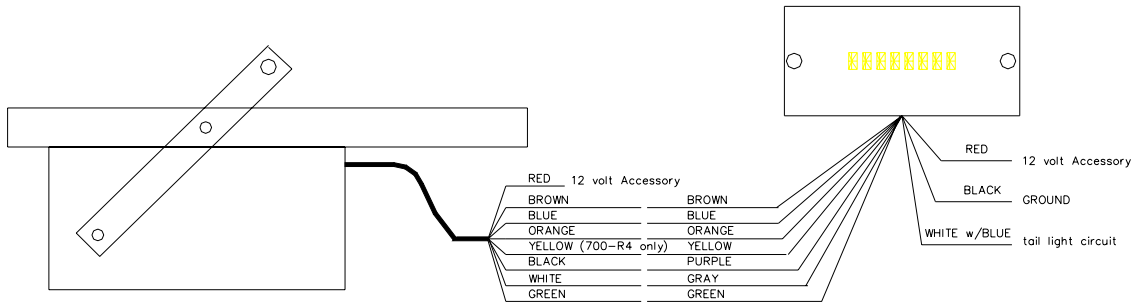
RED	-	12 volt accessory power.
BLACK	-	Ground.
WHITE w/BLUE	-	Dimming input (connect to tail light circuit).
GREEN	-	PARK input
GRAY	-	REVERSE input
PURPLE	-	NEUTRAL input
YELLOW	-	OVRDRIVE input
ORANGE	-	DRIVE input
BLUE	-	SECOND input
BROWN	-	FIRST input

Each input is activated by sending 12 volts to it. When none of the gear inputs have a 12 volt signal connected, the indicator will keep flashing 'DAKOTA' 'DIGITAL' on the display. It will also flash this once each time it is powered up.

WIRING DIAGRAMS



Wiring DGS-2 indicator to GSS-1000 sender



Wiring DGS-2 indicator to Wire Works sender

**DGS-2 VFD ALPHANUMERIC GEAR SHIFT INDICATOR
LIMITED LIFETIME WARRANTY**

DAKOTA DIGITAL, INC. (the Company) warrants to the ORIGINAL PURCHASER of this product that the system, under normal use and condition, be proven defective in material or workmanship DURING THE LIFETIME OF THE CAR IN WHICH IT WAS ORIGINALLY INSTALLED, such defect(s) will be repaired or replaced (at the Company's option) without charge for parts or labor directly related to repairs of the defect(s).

To obtain repair or replacement within the terms of this Warranty, the product is to be delivered with proof of warranty coverage (e.g., dated bill of sale), specification of defect(s), transportation prepaid, to the factory. This Warranty is valid for the original purchaser only and may not be transferred.

This Warranty does not cover nor extend to damage to vehicle electrical system. This Warranty does not apply to any product or part thereof which in the opinion of the Company has been damaged through alteration, improper installation, mishandling, misuse, neglect, or accident.

This Warranty is in lieu of all other express warranties or liabilities. ANY IMPLIED WARRANTIES, INCLUDING ANY IMPLIED WARRANTY OF MERCHANTABILITY, SHALL BE LIMITED TO THE DURATION OF THIS WRITTEN WARRANTY. ANY ACTION FOR BREACH OF ANY WARRANTY HEREUNDER INCLUDING ANY IMPLIED WARRANTY OF MERCHANTABILITY MUST BE BROUGHT WITHIN A PERIOD OF 30 MONTHS FROM DATE OF ORIGINAL PURCHASE. IN NO CASE SHALL THE COMPANY BE LIABLE FOR ANY CONSEQUENTIAL OR INCIDENTAL DAMAGES FOR BREACH OF THIS OR ANY OTHER WARRANTY, EXPRESSED OR IMPLIED, WHATSOEVER. No person or representative is authorized to assume for the Company any liability other than expressed herein in connection with the sale of this product.

The Company does not warrant that this product cannot be compromised or circumvented. THE EXTENT OF THE COMPANY'S LIABILITY UNDER THIS WARRANTY IS LIMITED TO THE REPAIR OR REPLACEMENT PROVIDED ABOVE AND, IN NO EVENT, SHALL THE COMPANY'S LIABILITY EXCEED THE PURCHASE PRICE PAID BY THE PURCHASER FOR THE PRODUCT.

Some states do not allow limitations on how long an implied warranty lasts or the exclusion or limitation if incidental or consequential damage so the above limitations or exclusion may not apply to you. This Warranty gives you specific legal rights and you may also have other rights which vary from state to state.

Dakota Digital

4510 W. 61ST St. N., Sioux Falls, SD 57107
Phone: (605) 332-6513 FAX: (605) 339-4106

www.dakotadigital.com
dakotasupport@dakotadigital.com