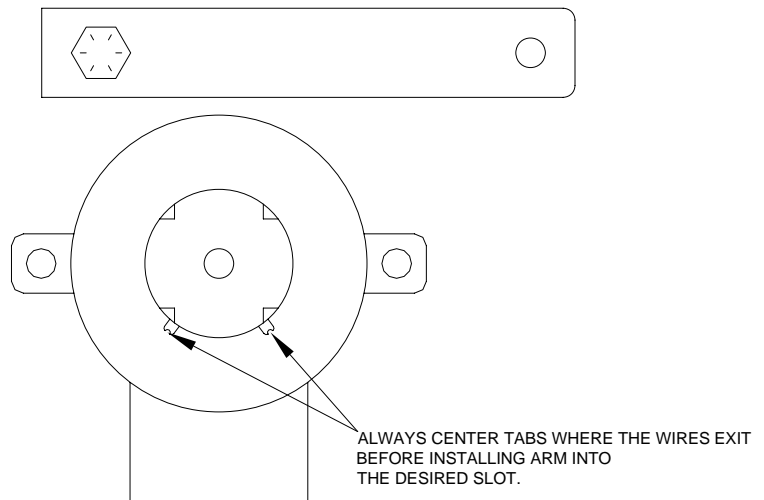
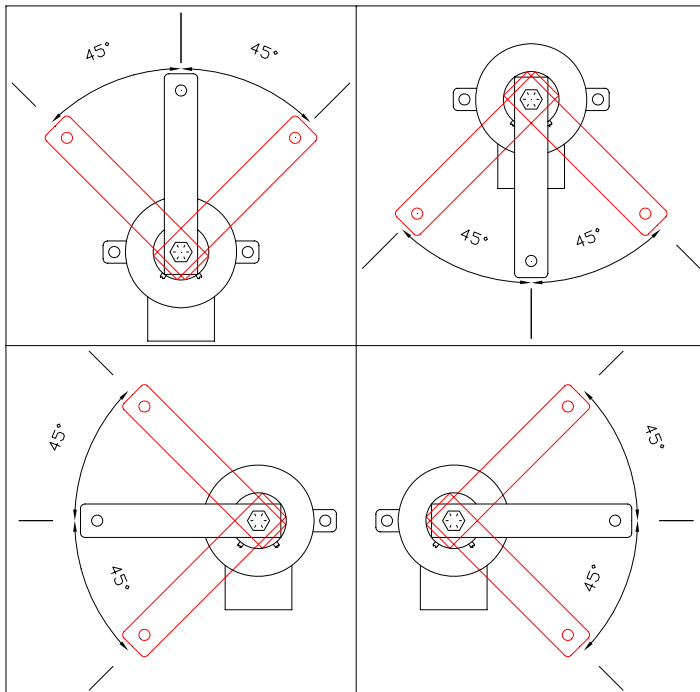


# Dakota Digital

## SEN-201 RIDE HEIGHT SENSOR



This sensor is designed to measure vehicle ride height. The sensor can be mounted to either the frame or the suspension components and can travel in either direction. The sensor has 180° of travel, but only the middle 90° can be used to measure suspension travel. The sensor can be mounted in any of these configurations:



Your sender arm will need to travel at least 2" at the end, if it has not been shortened. The linkage arm mounting bracket will need to be welded or drilled and securely bolted into place. The linkage arm itself will typically need to be cut to the proper length. Additional brackets may need to be fabricated and welded or bolted into place. The linkage components may seem slightly sloppy after installation, but there should be little or no give in the direction of suspension travel, only side to side. Please be sure to watch carefully through the entire range of suspension travel to make certain there is no interference, or binding. Here are some examples of an installation:

Figure 1: Assembled hardware



Figure 2: 4- Link mounting example



Figure 3: A-arm mounting example



Figure 4: Alternate rear mount



When you have completed the installation of the hardware, route the wires up to the controller location and refer to the documentation that came with the controller.

***Dakota Digital***

4510 W. 61ST St. N., Sioux Falls, SD 57107  
Phone: (605) 332-6513 FAX: (605) 339-4106  
[www.dakotadigital.com](http://www.dakotadigital.com)  
[dakotasupport@dakotadigital.com](mailto:dakotasupport@dakotadigital.com)

©Copyright 2005 Dakota Digital Inc.

MAN#650143