



# HDX-2200

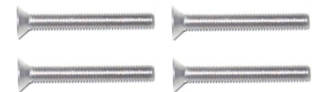
Dakota Digital Universal HDX Instrument Installation

Your new HDX-2200 kit includes:

**HDX Display**



**(4) Flanged Nuts**



**(4) 10-32 X 1.5" Screws**

**Installation Manuals and Cutout Template**



**Main Harness**

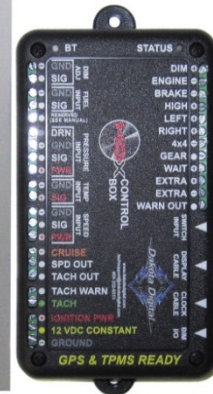
**Universal Sender Pack**



**Buzzer**

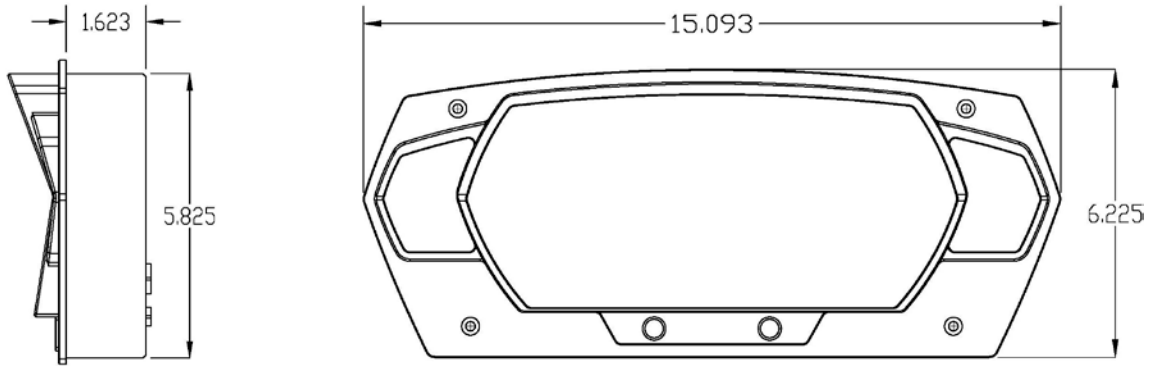


**Control Box**



## Installation

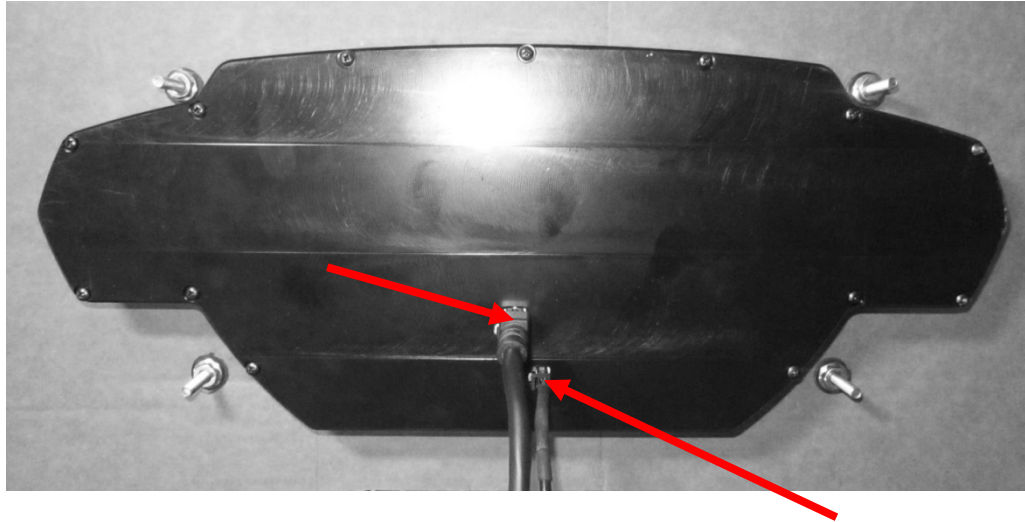
1. Use the provided template to mark out the opening and mounting holes needed to fit the HDX display in the desired location. Ensure there is adequate clearance with overall size including behind the desired mounting location; the display requires approximately 2" of depth.



2. With the appropriate opening cut and mounting holes drilled, carefully place the HDX display from the front side and use the provided screws and nuts to secure the HDX display to the dash.



3. Connect the provided harness and the buzzer (optional for audio feedback) to the back of the HDX system and refer to the main manual for wiring instructions to complete the HDX installation.



**Buzzer Connector**

**⚠ WARNING:** This product can expose you to chemicals including lead, which is known to the State of California to cause cancer and birth defects or other reproductive harm. For more information go to [www.P65Warnings.ca.gov](http://www.P65Warnings.ca.gov)



**4510 W. 61st St. North**  
**Sioux Falls, SD 57107**  
www.dakotadigital.com  
dakotasupport@dakotadigital.com

Phone (605) 332-6513  
Fax (605) 339-4106

© Copyright 2018 - Dakota Digital