



## RTX-70D-CLG

Dakota Digital RTX Instrument Installation  
For 1970-74 Dodge Challenger, Plymouth 'Cuda with Rallye dash

Your new RTX-70D-CLG kit includes:

### RTX Display



### Universal Sender Pack



### Buzzer



### Installation Manuals



### Switch



### Clock Harness



### Main Harness

### Control Box

### (3) Indicator Harnesses

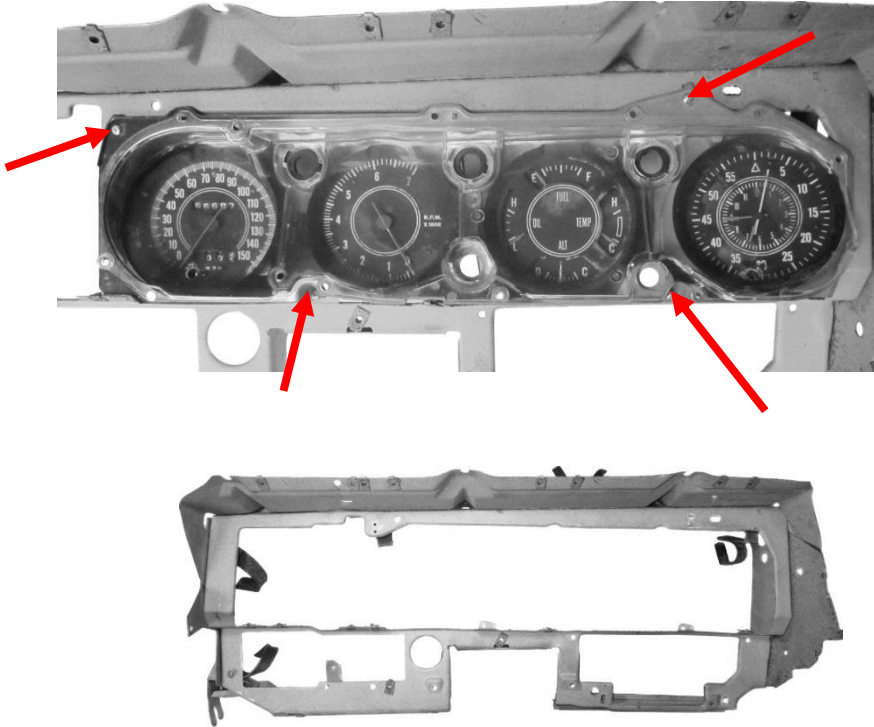


## Installation

1. Remove the stock plastic bezel from the dash. Retain all factory hardware for reassembly.



2. Remove the stock gauge cluster by removing the four (4) screws and retain the hardware for reassembly.

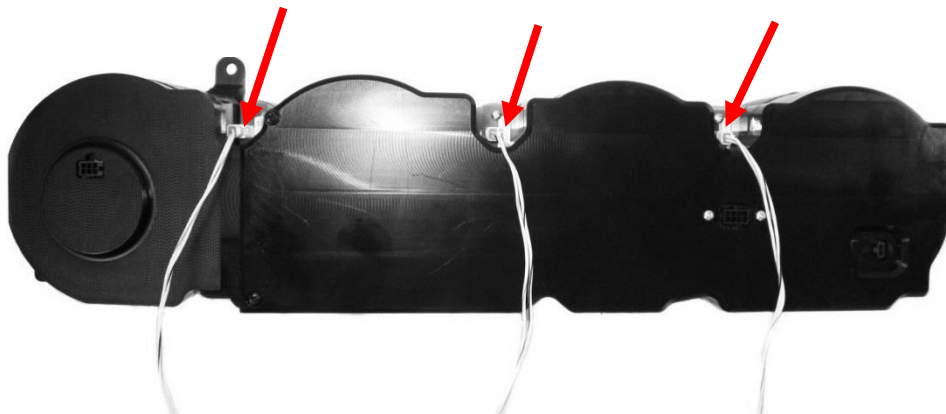


- 3A. This system comes with two options for the turn signals and brake indicator. You can have the indicators located in the faceplate of your new RTX display, and/or arrows in your vehicle's stock locations. To use the new faceplate indicators, follow the wiring instructions found in the main RTX manual.

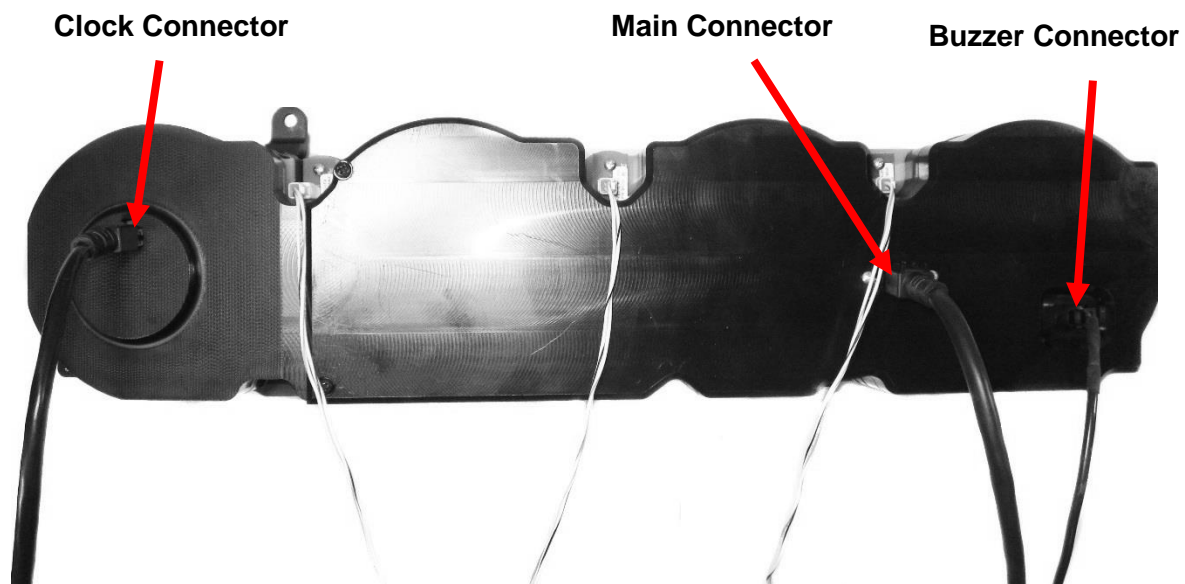
To optionally use the stock locations, do not wire to the RTX control box. Instead, use the provided two-wire harnesses. The harnesses plug directly into the connectors on the back side of your new RTX system:

WHITE\GREEN wire to INDICATOR CIRCUIT

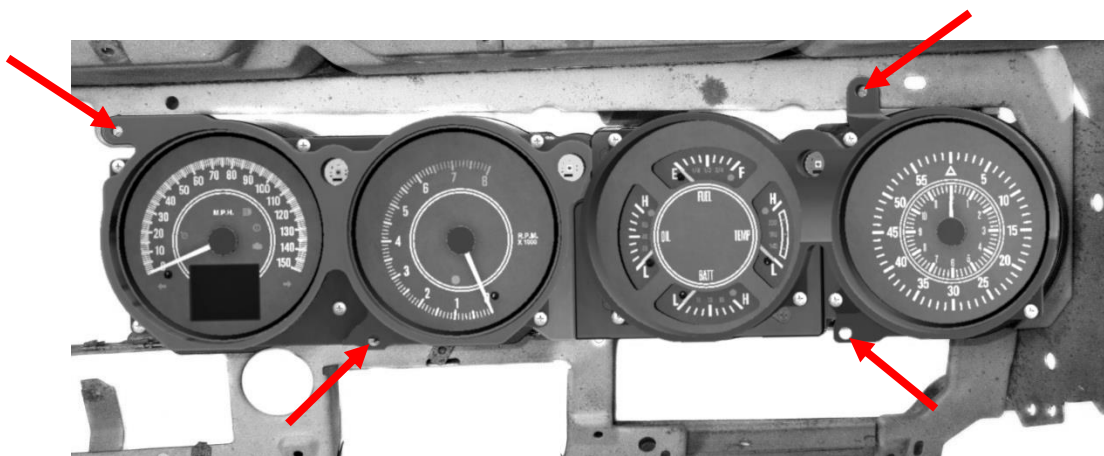
WHITE\BLACK wire to CHASSIS GROUND



- 3B. Attach the provided main harness, clock harness, and buzzer (optional for audio feedback) to the back of the RTX system and carefully route the open ends to the control box mounting location.



4. Mount the RTX system to the dash by reusing the four (4) screws that held the factory cluster.



5. Re-install the gauge bezel to the dash using the factory hardware and refer to the main manual for wiring instructions to complete the RTX installation.



**⚠WARNING:** This product can expose you to chemicals including lead, which is known to the State of California to cause cancer and birth defects or other reproductive harm. For more information go to [www.P65Warnings.ca.gov](http://www.P65Warnings.ca.gov)



4510 W. 61st St. North  
Sioux Falls, SD 57107  
[www.dakotadigital.com](http://www.dakotadigital.com)  
[dakotasupport@dakotadigital.com](mailto:dakotasupport@dakotadigital.com)

Phone (605) 332-6513  
Fax (605) 339-4106

© Copyright 2020 - Dakota Digital