

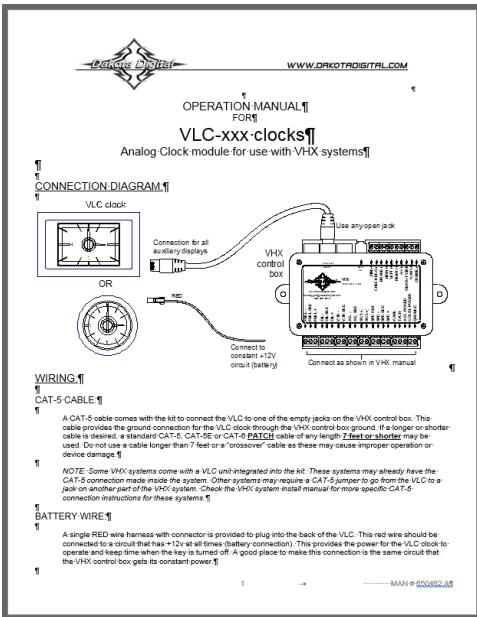


VLC-16-2

Dakota Digital Clock Installation
2-1/16 Universal Clock

VLC-16-2 Includes:

Operation Manual



VLC Clock



(2) Long L-Bracket



(2) Thumb Nuts



Main Harness

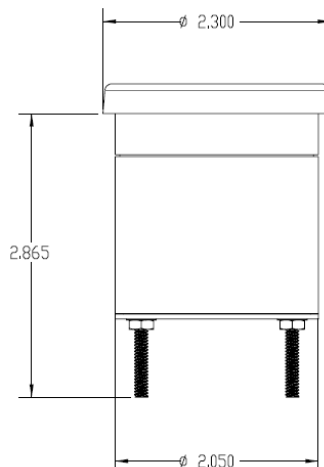


Power Harness



Installation

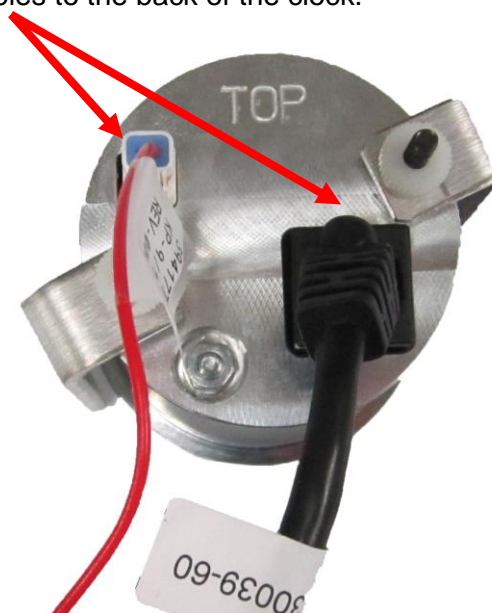
1. Using the provided template or a hole saw, make an opening measuring 2.10" diameter for the clock in your desired mounting location. Ensure at least 3.20" of depth behind the gauge opening for adequate clearance.



2. Insert the VLC gauge into the opening, making sure it's aligned properly. Then, secure the gauge with the supplied L-brackets and thumb nuts.



3. Connect the main and power cables to the back of the clock.



4. Refer to the enclosed clock operating manual for these connections and clock setup.

⚠ WARNING: This product can expose you to chemicals including lead, which is known to the State of California to cause cancer and birth defects or other reproductive harm. For more information go to www.P65Warnings.ca.gov



4510 W. 61st St. North
Sioux Falls, SD 57107
www.dakotadigital.com
dakotasupport@dakotadigital.com

Phone (605) 332-6513
Fax (605) 339-4106

© Copyright 2019 - Dakota Digital